

Exhibitor Prospectus

1. CONGRESS OVERVIEW

What is IAIN?

The International Association of Institutes of Navigation (IAIN), is a non-profit NGO uniting national and multinational institutes and organizations aiming to foster human activities on land, at sea, in the air and in space by developing and disseminating the science and practice of navigation and related information techniques.

One of the activities of IAIN in pursuance of its goal is the organization of the triennial IAIN World Congress, at which time IAIN Awards will be presented.

Another is gathering and publishing of news (also by RSS feed) and a calendar of events related to navigation and navigation techniques, as well as publishing feature articles.

The third is the representation of the member institutes at various international regulatory bodies, such as IMO, ICAO, IHO, ICG, etc.

What is IAIN 2018 ?

The 16th World Congress® of the International Association of Institutes of Navigation in 2018 (IAIN2018) will be held at Makuhari Messe hosted by the Japan Institute of Navigation (JIN).

The congress is the premier meeting worldwide in navigation field and it held once every 3 years attending about 300 participants all over the world. A scientific program of the congress addresses all subspecialties and related interests in navigation.

Where and When?

IAIN 2018 will be held from November 28 (Wed.) to December 1 (Sat.), 2018 at the Makuhari Messe in Chiba, Japan.

Makuhari Messe is one of Japan's world class convention facilities. It consists of four buildings including two International Exhibition Halls, Event Hall, and International Conference Hall on a 210,000 square meters site.

Hotel accommodation near the Makuhari Messe is available from \$70 to \$120 per night. For reservation and further information, please kindly confirm at <https://iain2018.org/>.

International Association of Institutes of Navigation 16th IAIN World Congress 2018

Congress Schedule Overview

The general schedule is below. Further details, including the congress technical program, exhibition open hours, and move-in/out times will be announced in the exhibition manual in September, 2018.

Congress Technical Program: November 28 (Wed.) – 30 (Fri.), 2018

Exhibition: November 28 (Wed.) – 30 (Fri.), 2018

Move-In: November 27 (Tue.) 15:00 (tentative)

Move-Out: November 30 (Fri.) PM (tentative)

2. EXHIBITION DETAILS

IAIN 2018 will be proud to provide exhibition booth and poster presentation. The places for exhibitors serves in first-come-first-served basis, so please submit an application to reserve your booth as soon as possible.

Application deadline: September 28 (Fri.), 2018

	Exhibition booth	Poster presentation
	In total of 20 booths available	20 posters available
Book before July 31 (Tue.)	¥ 200,000	¥ 20,000
Book from August 1 (Wed.)	¥ 220,000	¥ 22,000

VAT excluded

Each exhibition booth (W1980mm x D900mm) booth packages includes the following:

One (1) W1980mm x D900mm exhibition booth

One (1) W1800m x H700m x D600m draped table
with two (2) chairs

One (1) fascia name board (W900m x H200m)

One (1) Fluorescent lamp

Basic electricity use (500W) and electrical outlet

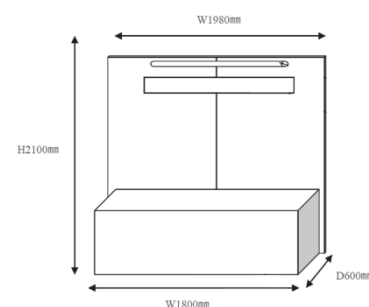
Carpeted floor

One (1) full congress badge inclusive of meals and full access to technical sessions

Two (2) exhibitor badges inclusive of meals *Access limited to exhibition area

Basic WiFi Internet access

Pre- and post-congress attendee lists





International Association of Institutes of Navigation
16th IAIN World Congress 2018

Each poster presentation packages includes the following:

One (1) poster panel (W900mm x H2100mm)

Two (2) poster presenter badges inclusive of meals *Access limited to exhibition area

Pre- and post-congress attendee lists

For additional furniture and equipment please kindly contact the Secretariat for reference.

Further information about vendors, rentals, and other services will be provided in the general contractor service manual (exhibitor kit) in September, 2018.

▲FAX : +81-3-3263-8693 / E-mail : secretariat@iain2018.org

To the Secretariat of IAIN2018

International Association of Institutes of Navigation 16th IAIN World Congress 2018

[Exhibition] Application Form

Date : _____, 2018

1. Details

Application	Exhibition booth	Poster presentation
Before July 31 (Tue.)	() unit x 200,000JPY*	() unit x 20,000JPY*
From August 1 (Wed.)	() unit x 220,000JPY*	() unit x 22,000JPY*

*VAT excluded

2. Contact person

Company : (English) _____ / (Japanese) _____

Postal Address (ZIP code included) : 〒 _____

Person in charge : _____ Department : _____

TEL : _____ FAX : _____

E-mail: _____

Remarks

--

【Inquiry】

Secretariat of IAIN2018

c/o Convention Linkage, Inc.

2 Sanbancho, Chiyoda-ku, Tokyo, 102-0075 JAPAN

TEL: +81-3-3263-8686 / FAX: +81-3-3263-8693

E-mail: secretariat@iain2018.org

▲FAX : 03-3263-8693 / E-mail : secretariat@iain2018.org

第16回国際航法学会 世界大会 (IAIN2018) 運営事務局 宛

第16回国際航法学会 世界大会 (IAIN2018)

展示申込書

申込年月日： 2018 年 月 日

1. 申込内容

申込期間	展示ブース	ポスター発表
～7月31日(火)	() 口 x 200,000 円 (税別)	() 枚 x 20,000 円 (税別)
8月1日(水)～	() 口 x 220,000 円 (税別)	() 枚 x 22,000 円 (税別)

2. 御担当者

貴社名：(日本語) _____ / (英語) _____

所在地：〒 _____

御担当者： _____

所属部署： _____

TEL： _____

FAX： _____

E-mail: _____

備考

--

【お問合せ及び申込書送付先】

第16回国際航法学会 世界大会 (IAIN2018) 運営事務局 担当者

株式会社コンベンションリンクージ内

〒102-0075 東京都千代田区三番町2

TEL : 03-3263-8686 / FAX : 03-3263-8693

E-mail : secretariat@iain2018.org